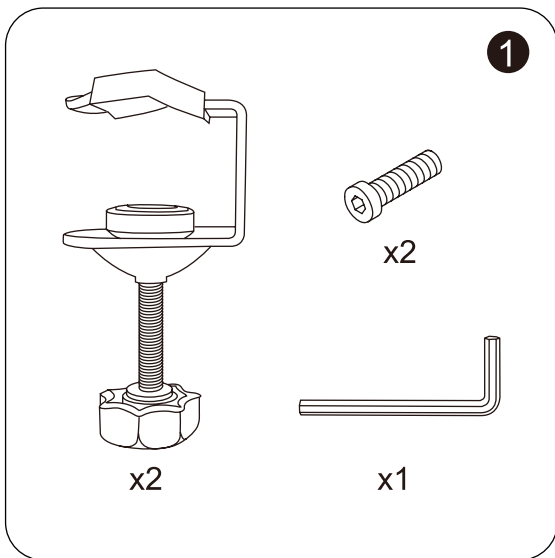
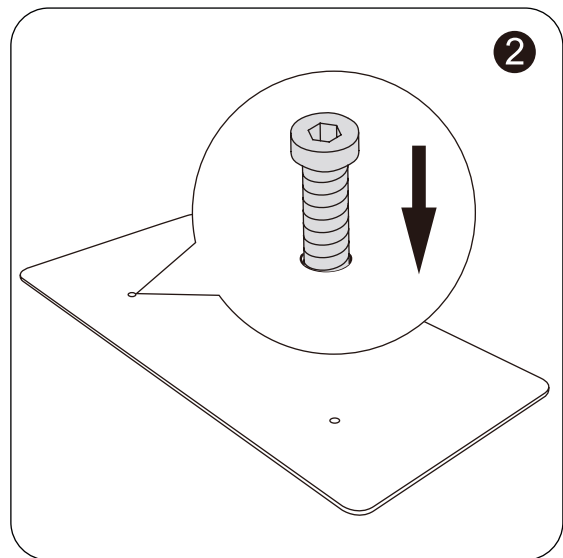


# Instruction Manual

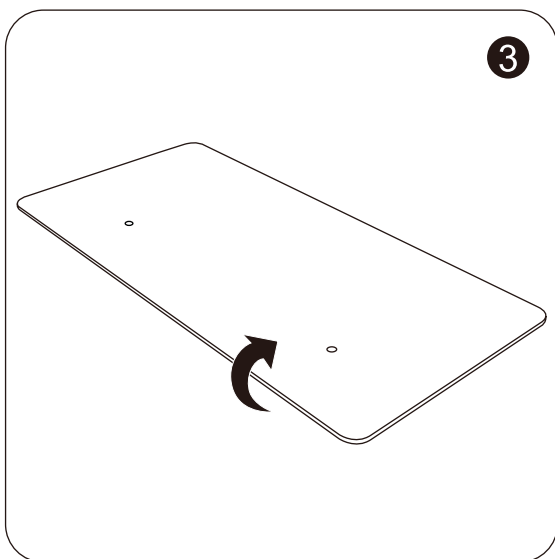
Acoustic Privacy Panel  
120x60cm



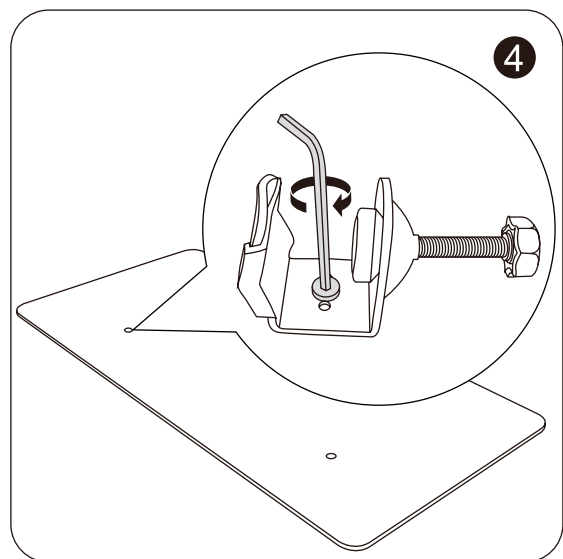
All accessories needed.



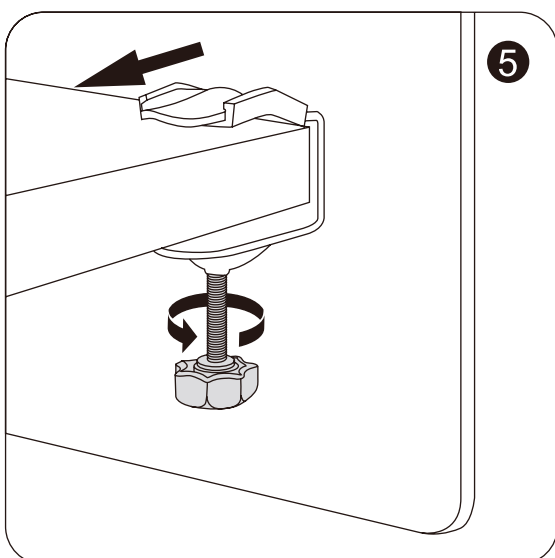
Insert the screw through the reserved hole on the panel.



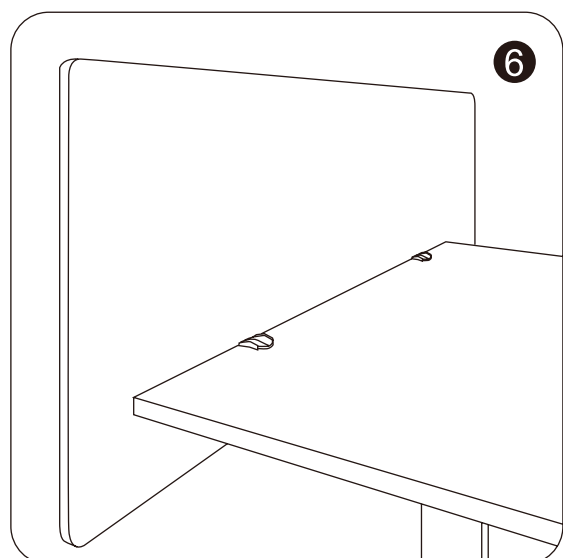
Flip over the panel after screwing through it.



Attach the clamp to the panel, install the second clamp in the same way.



Rotate the screw to secure the panel to the edge of the desk.



Complete the whole installation.